



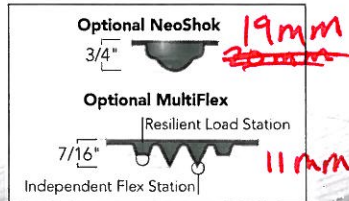
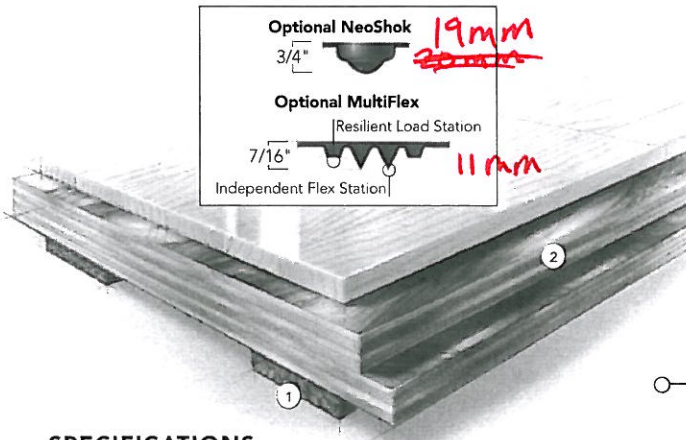
SPORTBOND™ PLUS DIN

FLOATING SYSTEM
SPORTBOND PLUS

F L O A T I N G S Y S T E M

SYSTEM FEATURES AND BENEFITS

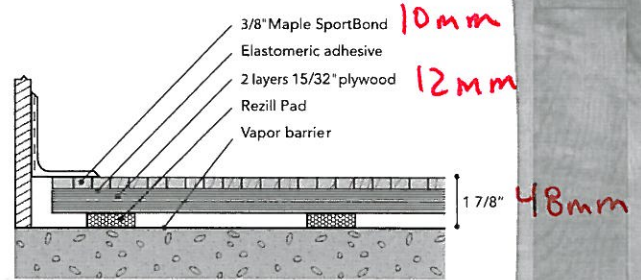
A sports floor system, consisting in general of a vapor barrier, resilient Rezill pads, wood subfloor, edge grain maple flooring, sanding, sealers, finishes, game lines and wall base.



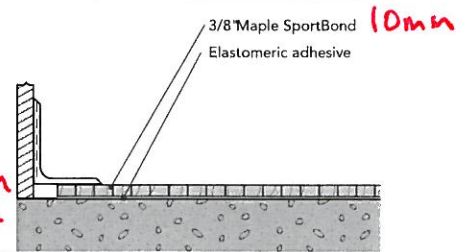
- ① Rezill Pad
- ② Two layers of 15/32" APA rated Plywood subfloor

12mm

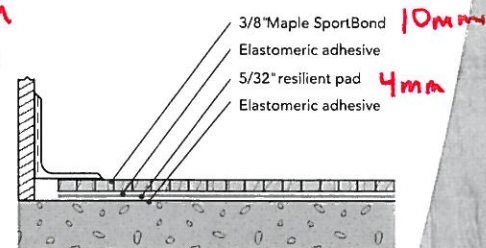
SPORTBOND PLUS WALL BASE DETAIL



SPORTBOND WALL BASE DETAIL



SPORTBOND FLEX WALL BASE DETAIL



SPECIFICATIONS

MANUFACTURING	ISO9001:2000 CERTIFIED
SYSTEM TYPE	Floating
ANCHORAGE	No concrete attachment
SUBFLOOR CONSTRUCTION	Plywood Panel
RESILIENCE	Rezill 7/16" Pads 11mm
NIKE GRIND	ONLY Connor offers flooring systems with Nike Grind Components
SLAB DEPRESSION	7/16" pad: 11mm 3/8" flooring - 1 7/8" 10mm - 48mm 1/2" flooring - 2" 13mm - 51mm 11/16" flooring - 2 1/8" 17mm - 54mm 3/4" pad: 19mm 3/8" flooring - 2 1/8" 10mm - 54mm 1/2" flooring - 2 1/4" 13mm - 57mm 11/16" flooring - 2 3/8" 17mm - 60mm
DIN STATUS	D-I-N Meets or exceeds all the requirements of DIN18032, part2
TESTING LABORATORY	United States Sports Surfacing Laboratory
CERTIFIED TESTING	Laboratory test equipment calibrated and certified through the ISSS
GREEN STATUS	Managed forests, certification available

connorfloor.com
1.800.283.9522